

AB14EJ(AB460EJ)/AB16EJ(AB520EJ)

Compliant with CE/ANSI/CSA/AS/KCS/EAC

PRODUCT HIGHLIGHTS**Suitable for narrow spaces**

- Narrow body with almost zero tail sweep.

Green

- Fully battery-powered, silent, zero emissions, long battery life, especially suitable for indoor work.

Precision performance

- Joysticks with variable proportional control, accuracy in reaching the operation target.



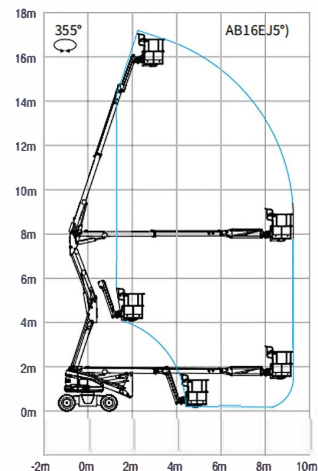
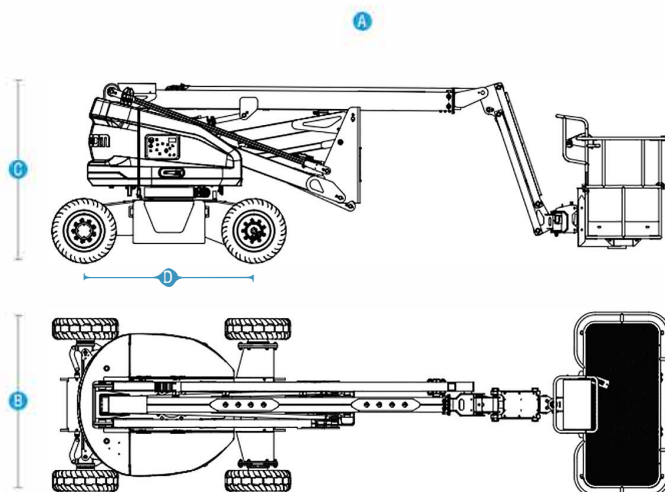
Standard features		
Platform hydraulic leveling	Overload sensing system	355° Turntable rotation
Platform 160° hydraulic rotation	Main boom gravitational lowering	Emergency brake release
Drive enable system	Display screen	Foam-filled non-marking tyres
Full proportional Joystick control	Fault diagnosis system	Lead-acid AGM battery
Horn and buzzer alarms	Emergency stop system	Rexroth pump system
Flashing beacon	Emergency lowering system	Tilt protection
Secondary guarding device	AC Cable to platform	
Optional features		
1.83m(6') work platform for AB14EJ(AB460EJ)	Platform worklight	RT foam-filled non-marking tyres
1.45m(4'9") work platform for AB16EJ(AB520EJ)		

ARTICULATING BOOM LIFTS

AB14EJ(AB460EJ)/AB16EJ(AB520EJ)

Compliant with CE/ANSI/CSA/AS/KCS/EAC

Model	AB14EJ(AB460EJ)	AB16EJ(AB520EJ)
Dimensions		
Max Platform Height	14m(45'11")	15.7m(51'6")
Max Working Height	16m(52'6")	17.7m(58'1")
Max Horizontal Extension	7.6m(24'11")	9.3m(30'6")
Max Up and Over Clearance	7.8m(25'7")	7.8m(25'7")
A Length-Stowed	6m(19'8")	6.8m(22'4")
B Width-Stowed	1.73m(5'8")	1.9m(6'3")
C Height-Stowed	2m(6'7")	2m(6'7")
D Wheelbase	1.9m(6'3")	1.9m(6'3")
Ground Clearance	0.22m(8.7")	0.22m(8.7")
Platform Dimensions(LxWxH)	1.45x0.85x1.1m(4'9"x2'9"x3"7")	1.83x0.85x1.1m(6'x2'9"x3"7")
Performance		
Platform Capacity	230kg(507lbs),2 Persons	230 kg(507lbs),2 Persons
Turntable Rotation	355°	355°
Platform Rotation	160°	160°
Drive Speed-Stowed	5.2km/h(3.2mph)	5.2km/h(3.2mph)
Drive Speed-Raised	0.8km/h(0.5mph)	0.8km/h(0.5mph)
Gradeability	30%	30%
Turning Radius-Inside	1.15m(3'9")	0.7m(2'4")
Turning Radius-Outside	3.51m(11'6")	3.31m(10'10")
Turntable Tailswing	0	50 mm (2")
Tilt Rating	5°	5°
DrivexSteer	2WDx2WS	2WDx2WS
Tire Spec/Type	240/55D17.5 Foam-filled tyres	240/55D17.5 Foam-filled tyres
Power		
Batteries	8x6V,390 Ah	8x6V,390 Ah
Auxiliary Power Unit	12V DC	12V DC
Hydraulic Tank Capacity	40L(8.8gal(UK)/10.6gal(US))	40L(8.8gal(UK)/10.6gal(US))
Weight		
Weight	7,100kg(15,653lbs)	7,300kg(16,094lbs)
Standards	CE/ANSI/CSA/AS/KCS/EAC	



BISCHAG

ROLLT - HEBT - BEWEGT
ROULE - LÈVE - DÉPLACE

IHR PARTNER FÜR:

Bau- & Industriekrane

LKW-Kranarbeiten

Spezialtransporte

Hydraulikservice

Arbeitsbühnen

Teleskoplader



Wahlenstrasse 175
4242 Laufen



info@bischag.ch



+41 61 789 20 44

